



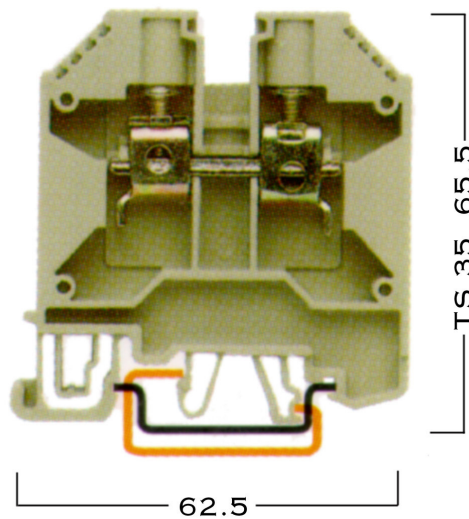
AMERICAN ELECTRICAL, INC.



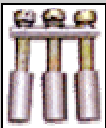
INDUSTRIAL ELECTRICAL ACCESSORIES

425 SOUTHLAKE BLVD. • SUITE 9-B • RICHMOND, VA 23236 • (804) 379-2899 • FAX: (804) 379-8935

DIN RAIL MOUNTED TERMINAL BLOCKS

PEK 16



DESCRIPTION	AEI PART NO.	UL VOLTS V	AMPS A	WIRE SIZE AWG	WIDTH MM
BLOCK	305160	600	65	14 ... 6	12
END BRACKET 	495040				8.0
END PLATE 	445170				1.5
	PART NO.	POLES			
CROSS CONNECTION 	475162	2			
	475163	3			
	475164	4			
	475169	10			

